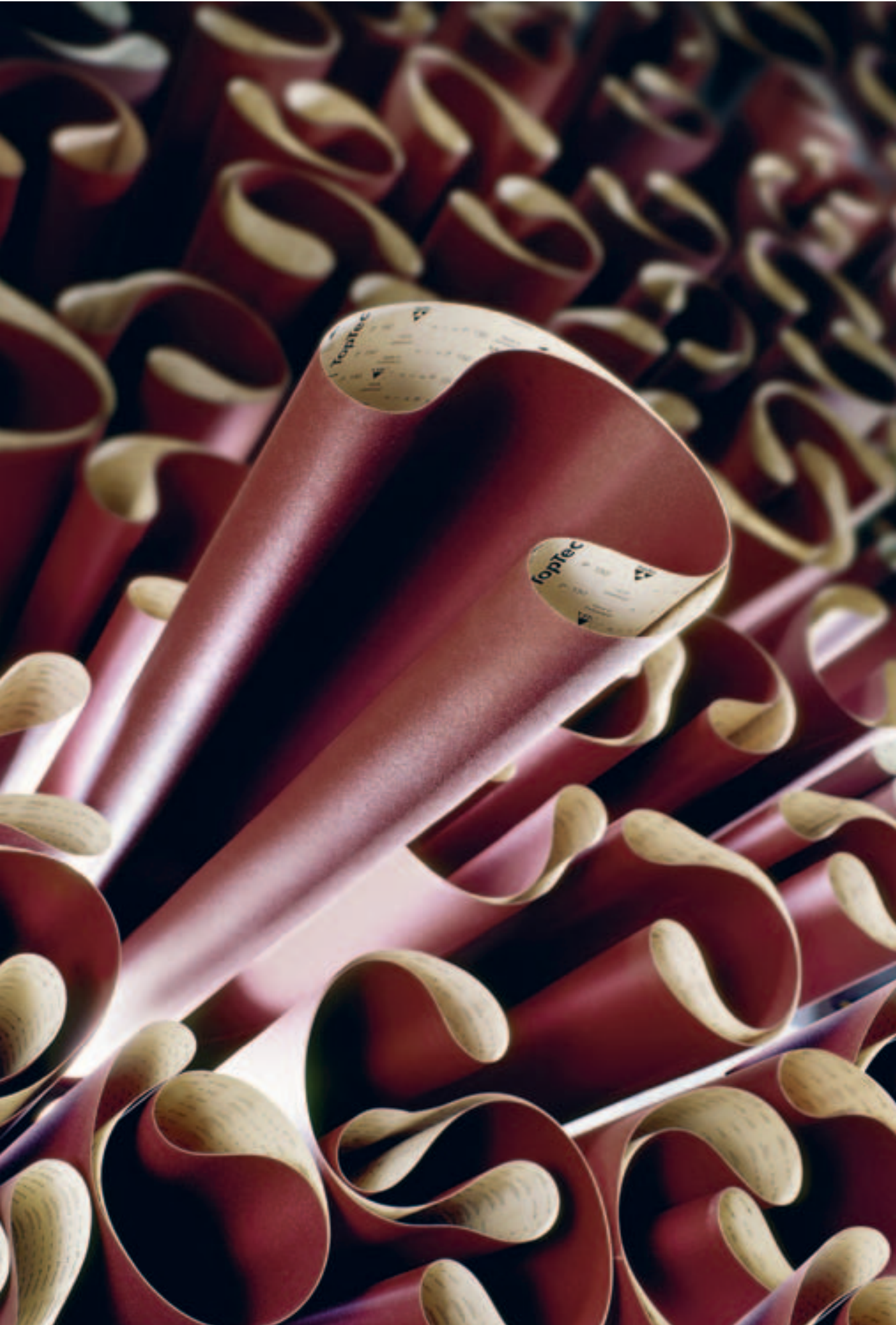




Outstanding – The new generation
of sia abrasive belts

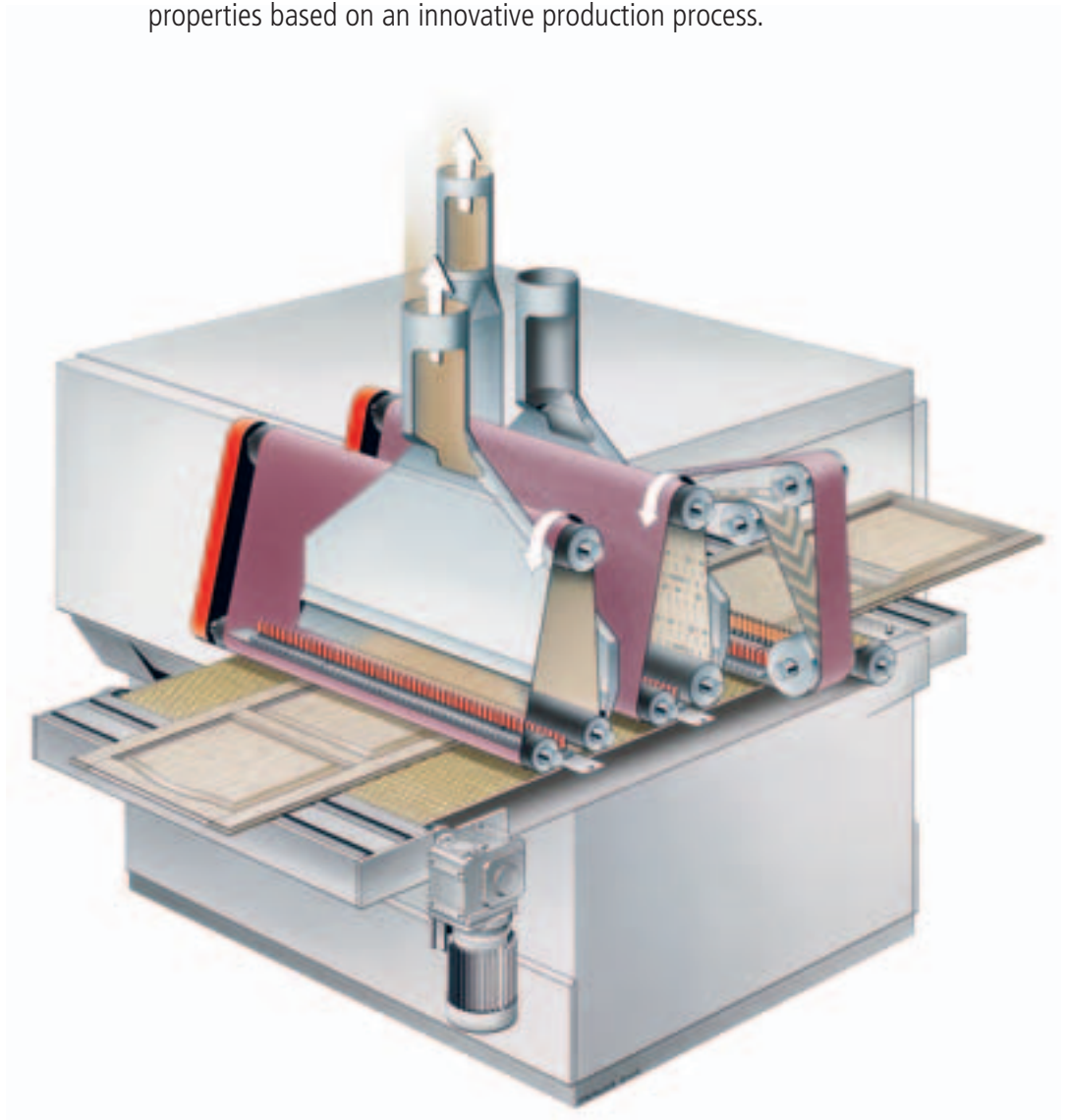




Abrasive belts for perfect surfaces

The new TopTec generation of abrasive belts from sia Abrasives marks another milestone in the development of application-optimized abrasive belts that offer major customer benefits.

They achieve outstanding sanding results and excellent surface quality by combining several key assets – a controlled coating process, belt joints that are individually matched to the application and the abrasive backing, and antistatic properties based on an innovative production process.



Your Key to a Perfect Surface



TopTec



Controlled coating

Our high-tech coating machines guarantee:

- ✓ Optimized grit quantities
- ✓ Perfect grit adhesion
- ✓ Uniform grit positioning
- ✓ Tested to FEPA standard

... Benefits that all add up to perfect surface quality



Ultra-modern monitoring methods guarantee top quality standards

TopTec



Best belt joints

Our belt joints lead the market thanks to their consistently high quality

- ✓ Specific application-oriented belt joints
- ✓ High-quality processing
- ✓ High stability and long lifetimes
- ✓ No sanding errors

... Benefits that all add up to perfect surface quality



Belt joints that will pass every test

TopTec



Dust-free process

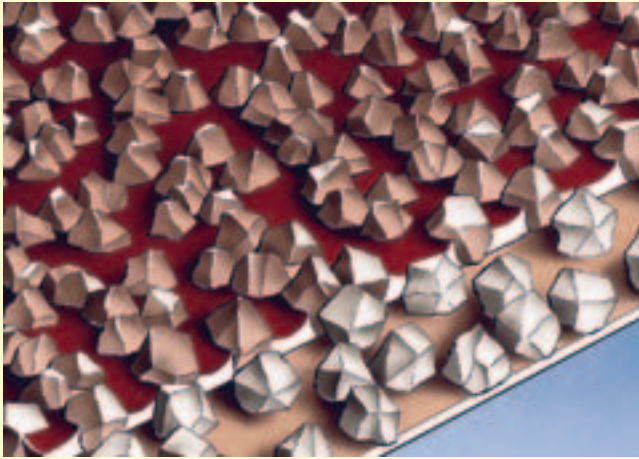
The antistatic treatment of the belts gives you these benefits:

- ✓ Dust-free workpieces
- ✓ Clean machines
- ✓ Efficient dust extraction
- ✓ Clean ambient air
- ✓ Longer belt lifetimes
- ✓ Low clogging

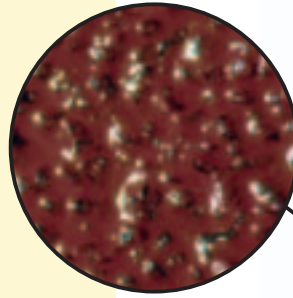
... Benefits that all add up to perfect surface quality



Efficient dust extraction



Structure of the abrasive



Type 1
overlapped joint without
grit sanding

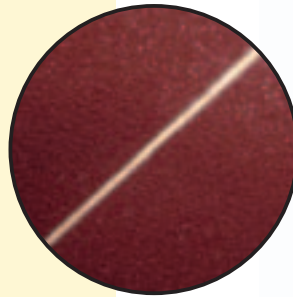


Type 2
overlapped joint
with grit sanding

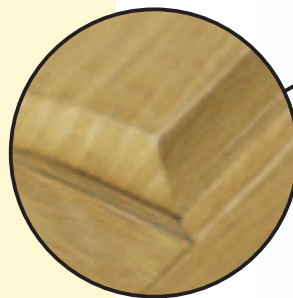
Type 3
butted joint
with special film
on the back

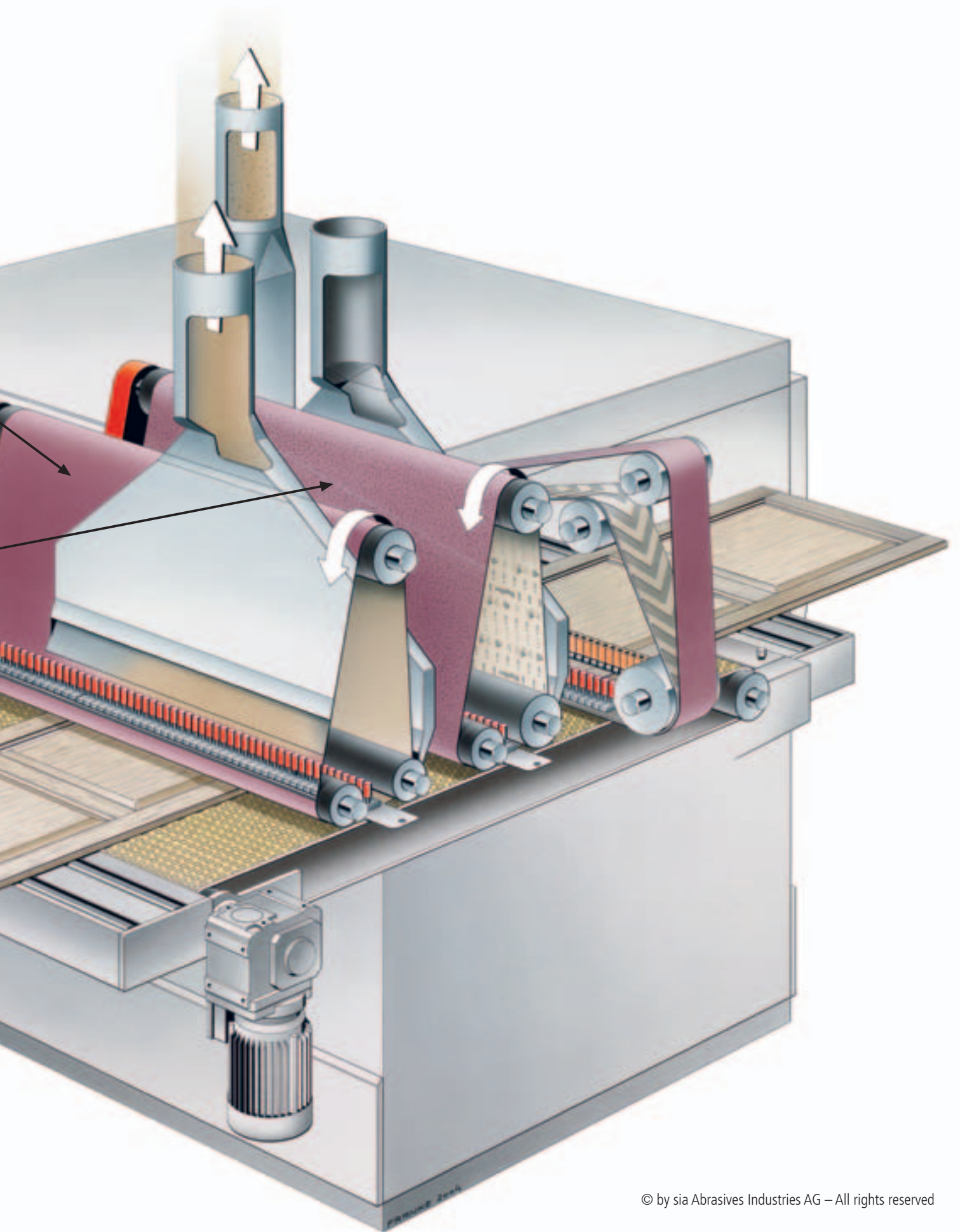


Type 4
butted joint
with special film
on the grit side



Clean workpieces with no dust residues





sia Abrasives – Your Key to a Perfect Surface

Headquartered in Frauenfeld, Switzerland, the sia Group ranks amongst the world's top three suppliers of innovative abrasive systems. It develops, manufactures and distributes complete abrasive systems, including custom-made systems for specific requirements and applications, for surface finishing on workpieces of all kinds. Our sanding and grinding expertise is genuine surface technology. The sia Group employs some 1,100 people around the world.



sia Abrasives Industries AG, Frauenfeld/Switzerland



Coated Abrasives

Traditional coated abrasives and complete abrasive systems for conventional surface finishing on all types of materials.



Nonwoven Abrasives

Products for preparatory work, cleaning and shaping, usually without modifying the workpiece geometry.



Micro-Finishing Abrasives

Products on special backing material to achieve constant finish results for the graphic, optical and metal industries.



Foam Abrasives

Abrasive blocks and pads of different shapes and hardness for the precise treatment of wood, filler, paints and lacquers.

Australia

sia Abrasives Australia Pty. Ltd.
Rowville, Vic.3178
Phone +61 3 9753 4333

Austria

sia Abrasives GmbH
6130 Schwaz
Phone +43 5242 73 666

Belgium

sia Abrasives Belgium NV SA
1730 Mollem (Asse)
Phone +32 2 454 00 28

Brazil

sia Abrasivos Industriais Ltda
São José dos Pinhais, PR, CEP 83065-190
Phone +55 41 382 53 33

China

sia Abrasives Company Ltd.,
Aberdeen, Hongkong
Phone +852 2553 8300

France

sia Abrasives France Sàrl
95972 Roissy Charles de Gaulle Cedex
Phone +33 1 48 17 80 90

Germany

sia Abrasives Deutschland GmbH
42699 Solingen
Phone +49 (0) 212 258 19-40

Weck Schleifmittel GmbH
42699 Solingen
Phone +49 (0) 212 258 19-19

Great Britain

sia Abrasives (G.B.) Ltd.
Greetland, Halifax HX4 8NJ West Yorkshire
Phone +44 1422 31 30 00

sia Fibril Limited
Greetland, Halifax HX4 8NJ West Yorkshire
Phone +44 1422 31 30 00

India

sia Abrasives India Pvt. Ltd.
Alfreton, Derbyshire DE55 7FQ
Phone +44 1773 83 25 24

Mexico

sia Abrasivos México S.A. de C.V.
01050 México, D.F.
Phone +52 (525) 5662 79 83

Spain

sia Abrasives España SA
28830 Pol. Ind. San Fernando de Henares
(Madrid)
Phone +34 91 678 41 50

Switzerland

sia Abrasives Industries AG
8501 Frauenfeld
Phone +41 52 724 41 11

USA

sia Abrasives, Inc. USA
Charlotte, NC 28273
Phone +1 704 587 73 55

sia Capco
Anoka, Minnesota 55303
Phone 800 624 45 82

and representations in another 85 countries.

www.sia-abrasives.com